

**PRESSURE GAUGE WITH BOURDON TUBE  
GLYCERINE FILLING  
STAINLESS STEEL CASE  
ACCORDING TO 837-1**



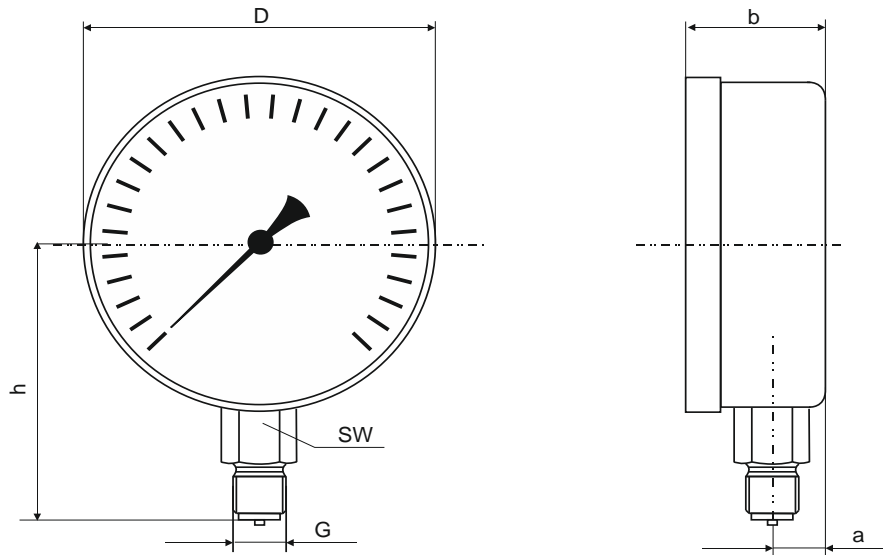
**Diameter 100, 160  
Connection position radial bottom  
or eccentric back**

For measuring tasks where strong mechanical vibrations or pressure pulses may arise. The glycerine filling ensures a smooth pointer movement and thus for good readability even in extreme loads and high vibration stress. The lubricating effect of the silicone oil or glycerine also has a favorable effect against increased wear.

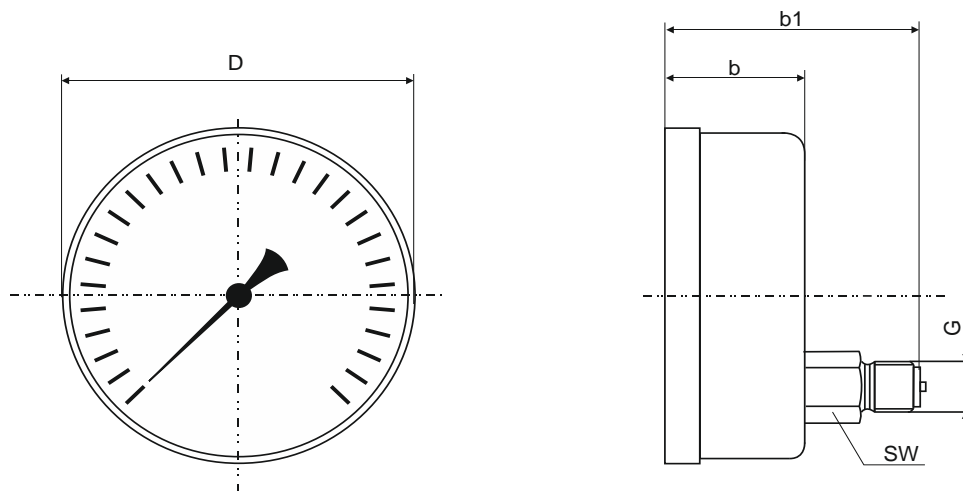


Type	7781	7791	7801	7811	Options
Diameter	100		160		
Symbol					Glycerine filling
Accuracy class	1,0 according to DIN EN 837-1				
Ranges	0...0,6 up to 0...1600 bar negative or positive overpressure				MPa, kPa
Application	Constant load: up to end of scale value Alternating load: up to 0,9-fold end of scale value Short time: 1,3-fold overload capacity				up to 2-fold
Case	Stainless steel, 1.4301 (with blow-out plug)				
Ring	Stainless steel, 1.4301, bayonet				rear or front flange
Window	Flat instrument glass				Safety glass or plexiglas
Dial	Al white, scale and printing black				Dual scale
Pointer	Al black				max. indicator/marker pointer
Movement	CuZn-alloy				
Measuring element	Cu-alloy up to 40 bar, above 40 bar stainless steel				
Pressure connection	CuZn-alloy up to 1000 bar above 1000 bar stainless steel 1.4571				
Connection position	radial bottom	eccentric back	radial bottom	eccentric back	
Thread	G 1/2 B, M20x1,5				others on request
Temperatures	Medium: -20°C up to 80°C, ambient: -25°C up to 60°C				special solder 130°C
Protection	IP 65 according to EN 60529/IEC 529				
Orifice	Ø 0,3; Ø 0,4; Ø 0,8 mm				
Approx.weight	0,9 kg	0,9 kg	2,1 kg	2,1 kg	

Type	Dimension in mm							
	NG	a	b	b1	D	G	h	SW
7781	100	15	49	-	101	G 1/2 B	85	22
7791	100	-	49	85,5	101	G 1/2 B	-	22
7801	160	21	52	-	160	G 1/2 B	118	22
7811	160	-	52	92	160	G 1/2 B	-	22



Type 7781/7801



Type 7791/7811